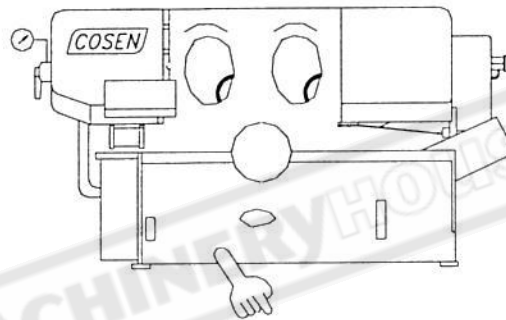
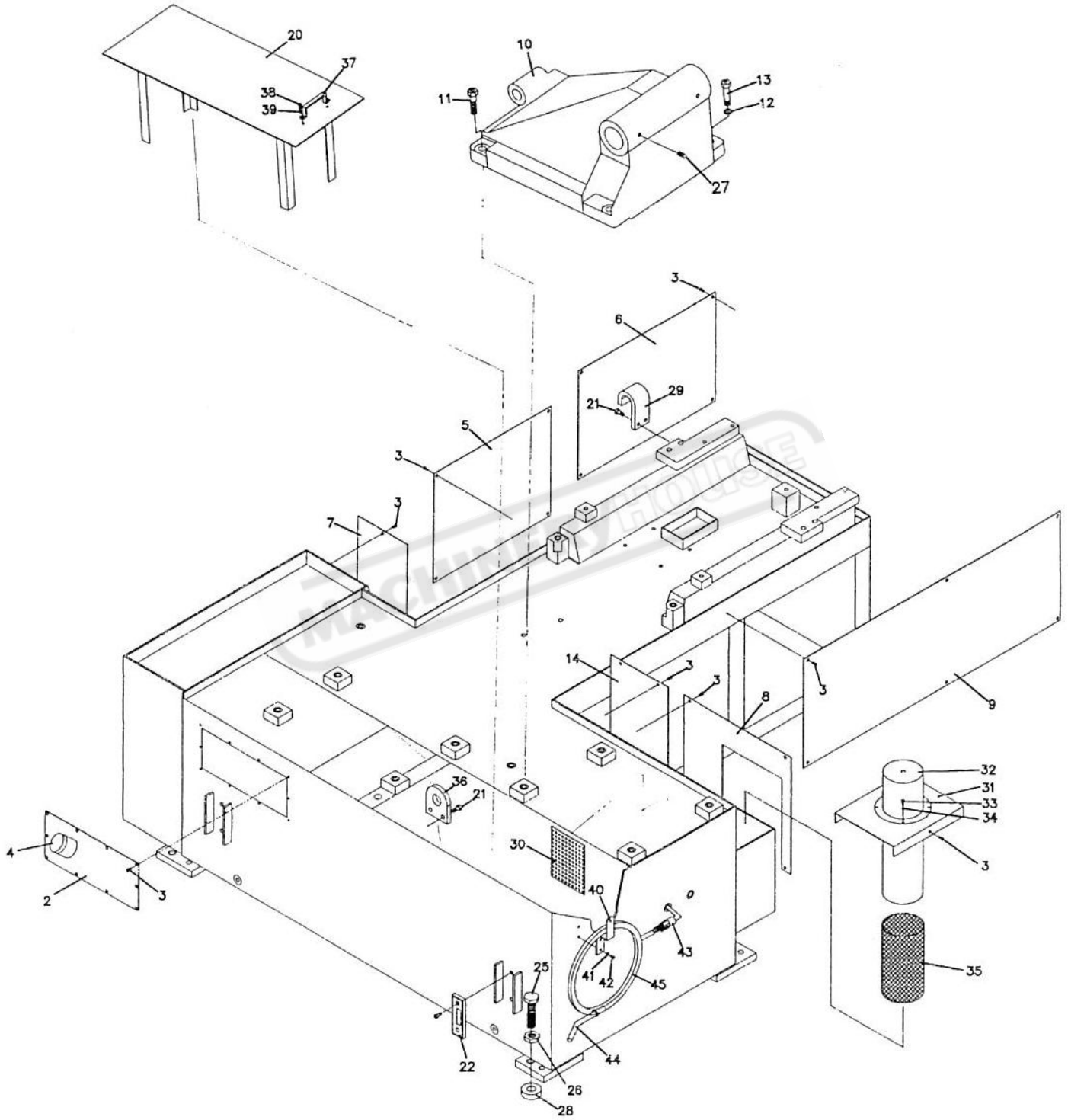


Section 9

PARTS LIST



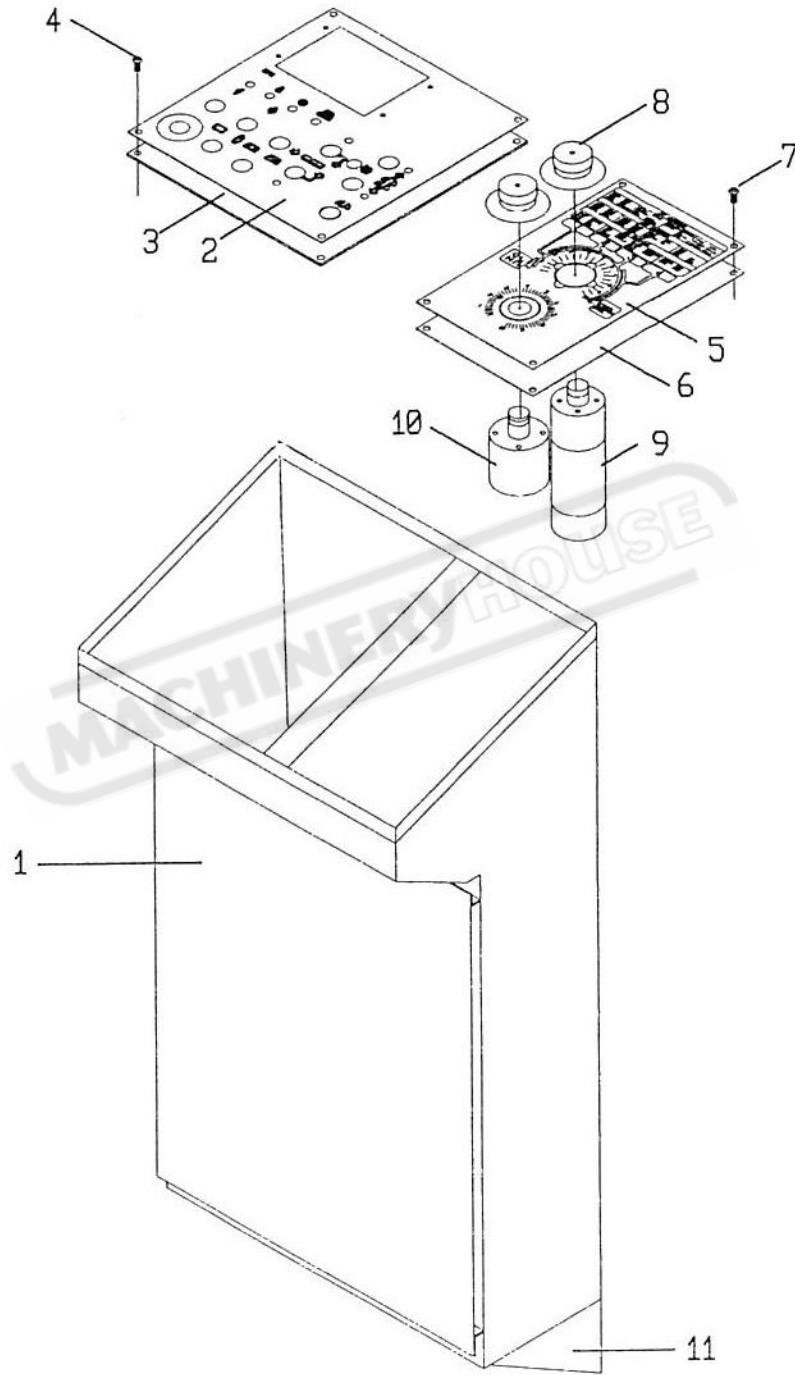
AHC-1001C.WRK
MACHINE BODY ASSEMBLY



AHC-1001C.WRK MACHINE BODY ASSEMBLY

NO.	PART NO.	PART NAME	PART NAME IN CHINESE	PART SPEC.	Q'TY
1-1	AHC-0101-CE	oil pan	底座		1
1-2	AHA-0102	oil tank cover	油箱蓋		1
1-3		screw	大丸頭螺絲	M5*10L	37
1-4	PP-90857	cap	油壓箱蓋螺帽		1
1-5	AHC-0101N-4	side cover	底座邊蓋(四)		1
1-6	AHC-0101N-3	side cover	底座邊蓋(三)		1
1-7	AHC-0101N-5	side cover	底座邊蓋(五)		1
1-8	AHC-0101N-6	side cover	底座邊蓋(六)		1
1-9	AHC-0101N-1	side cover	底座邊蓋(一)		1
1-10	AHC-0119	hinge bracket	關節座		1
1-11		bolt	外六角螺絲	M14*55L	2
1-12		spring washer	彈簧華司	M14	4
1-13	AHA-0122A	bolt	外六角固定螺栓		2
1-14	AHC-0101N-2	side cover	底座邊蓋(二)		1
1-15					
1-16					
1-17					
1-18					
1-19					
1-20	AHC-2009	plate	集屑板		1
1-21		bolt	內六角螺絲	M10*20L	8
1-22	PP-21030	oil level gauge	油面計	3"	2
1-23					
1-24		screw	螺絲	M8*20L	4
1-25	AHR-0153	adjusting bolt	底座調整螺絲		6
1-26		adjusting nut	底座調整螺帽	M20	6
1-27		threaded taper pin	止付螺絲	M10*45L	2
1-28	AHR-1055	base support	底座墊塊		6
1-29	AHC-0160	hanger	吊耳(三)		2
1-30	AHA-0138	filter	濾網		1
1-31	AHA-0136	bracket	固定座板		1
1-32	PP-32081	pump	浸水泵浦	1/8HP,210L	1
1-33		bolt	外六角螺絲	M6*12L	4
1-34		spring washer	彈簧華司	M6	4
1-35	AHA-0131	filter	濾網		1
1-36	AHC-0161	hanger	吊耳(四)		2
1-37	PP-52080	handle	輪箱把手		1
1-38		bolt	丸頭螺絲	M5*8L	2
1-39		spring washer	彈簧華司	M5	2
1-40	AHA-1309	bracket	軟管架		1
1-41		spring washer	彈簧華司	M5	2
1-42		bolt	內六角螺絲	M5*12L	2
1-43	PP-43132	switch	開關閥	1/8"	1
1-44	AHA-1313	nozzle	噴嘴		1
1-45		cable duct	護管	3/8"*1000L	1
1-46					

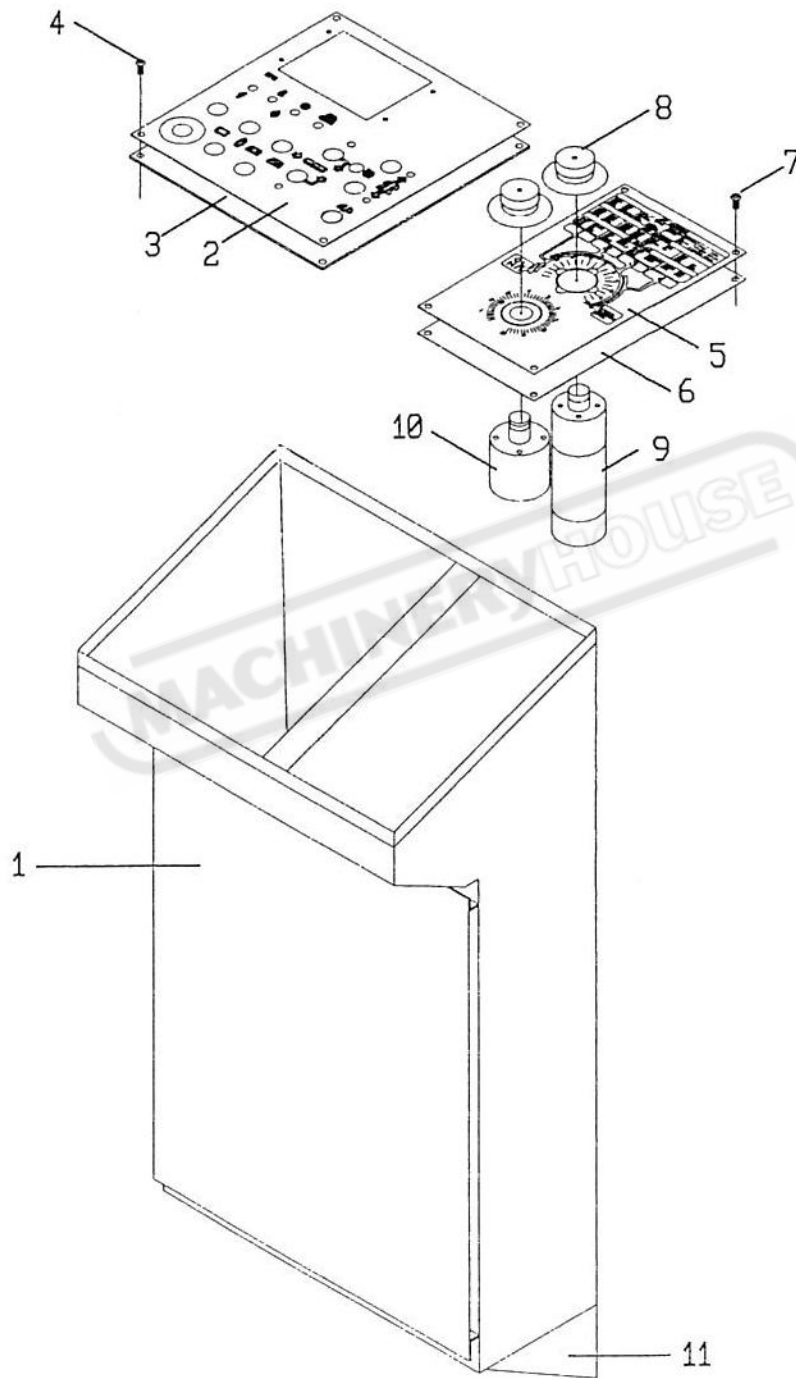
AHC-1001-3.WRK
ELECTRICAL ASS'Y



AHC-1001C.WRK MACHINE BODY ASSEMBLY

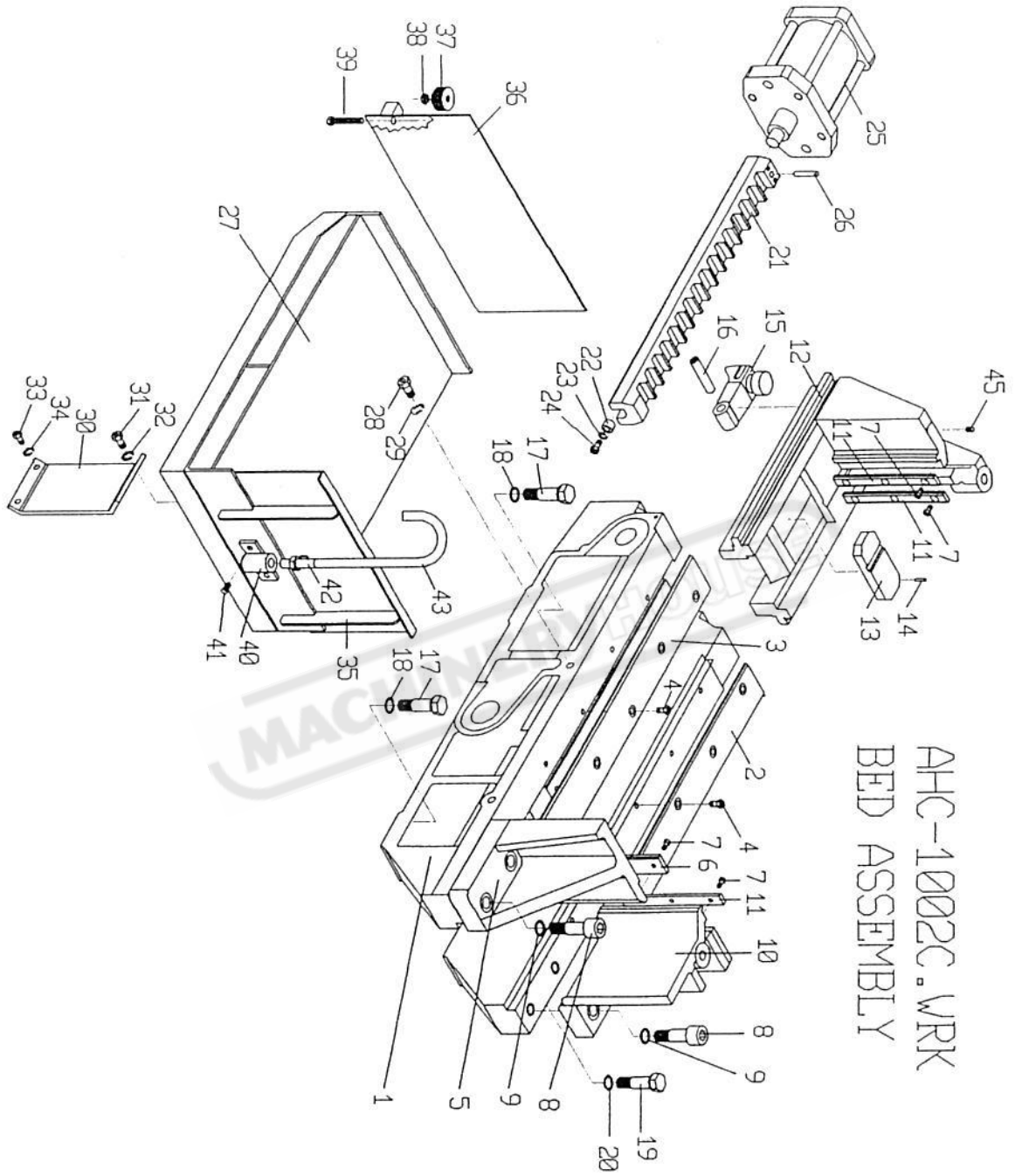
NO.	PART NO.	PART NAME	PART NAME IN CHINESE	PART SPEC.	Q'TY
1-1	AHC-0101-CE	oil pan	底座		1
1-2	AHA-0102	oil tank cover	油箱蓋		1
1-3		screw	大丸頭螺絲	M5*10L	37
1-4	PP-90857	cap	油壓箱蓋螺帽		1
1-5	AHC-0101N-4	side cover	底座邊蓋(四)		1
1-6	AHC-0101N-3	side cover	底座邊蓋(三)		1
1-7	AHC-0101N-5	side cover	底座邊蓋(五)		1
1-8	AHC-0101N-6	side cover	底座邊蓋(六)		1
1-9	AHC-0101N-1	side cover	底座邊蓋(一)		1
1-10	AHC-0119	hinge bracket	關節座		1
1-11		bolt	外六角螺絲	M14*55L	2
1-12		spring washer	彈簧華司	M14	4
1-13	AHA-0122A	bolt	外六角固定螺栓		2
1-14	AHC-0101N-2	side cover	底座邊蓋(二)		1
1-15					
1-16					
1-17					
1-18					
1-19					
1-20	AHC-2009	plate	集屑板		1
1-21		bolt	內六角螺絲	M10*20L	8
1-22	PP-21030	oil level gauge	油面計	3"	2
1-23					
1-24		screw	螺絲	M8*20L	4
1-25	AHR-0153	adjusting bolt	底座調整螺絲		6
1-26		adjusting nut	底座調整螺帽	M20	6
1-27		threaded taper pin	止付螺絲	M10*45L	2
1-28	AHR-1055	base support	底座墊塊		6
1-29	AHC-0160	hanger	吊耳(三)		2
1-30	AHA-0138	filter	濾網		1
1-31	AHA-0136	bracket	固定座板		1
1-32	PP-32081	pump	浸水泵浦	1/8HP,210L	1
1-33		bolt	外六角螺絲	M6*12L	4
1-34		spring washer	彈簧華司	M6	4
1-35	AHA-0131	filter	濾網		1
1-36	AHC-0161	hanger	吊耳(四)		2
1-37	PP-52080	handle	輪箱把手		1
1-38		bolt	丸頭螺絲	M5*8L	2
1-39		spring washer	彈簧華司	M5	2
1-40	AHA-1309	bracket	軟管架		1
1-41		spring washer	彈簧華司	M5	2
1-42		bolt	內六角螺絲	M5*12L	2
1-43	PP-43132	switch	開關閥	1/8"	1
1-44	AHA-1313	nozzle	噴嘴		1
1-45		cable duct	護管	3/8"*1000L	1
1-46					

AHC-1001-3.WRK
ELECTRICAL ASS'Y



AHC-1001-3.WRK ELECTRICAL ASSEMBLY

NO.	PART NO.	PART NAME	PART NAME IN CHINESE	PART SPEC.	Q'TY
1-3-1	AHC-0131-CE	elec.box	電氣箱		1
1-3-2	AGC-1040B	elec.data plate	控制面板		1
1-3-3	AGC-1041B	control plate	控制底板		1
1-3-4		screw	丸頭螺絲	M8*8L	4
1-3-5	AHC-0134-CE	elec.data plate	控制面板		1
1-3-6	AHC-0135-CE	control plate	控制底板		1
1-3-7		screw	丸頭螺絲	M8*8L	4
1-3-8	AHA-1806	vernier dial	流量閥旋鈕		2
1-3-9	AHA-10289	regulator set	調壓閥		1
1-3-10	AHA-6100	folw control valve	流量控制閥		1
1-3-11	AHC-0101-CE3	bracket	電氣箱架		1
1-3-12					
1-3-13					
1-3-14					
1-3-15					
1-3-16					
1-3-17					
1-3-18					
1-3-19					
1-3-20					
1-3-21					
1-3-22					
1-3-23					
1-3-24					
1-3-25					
1-3-26					
1-3-27					
1-3-28					
1-3-29					
1-3-30					
1-3-31					
1-3-32					
1-3-33					
1-3-34					
1-3-35					
1-3-36					
1-3-37					
1-3-38					
1-3-39					
1-3-40					
1-3-41					
1-3-42					
1-3-43					
1-3-44					
1-3-45					
1-3-46					



AHC-1002C WRK
BED ASSEMBLY

AHC-1002C.WRK BED ASSEMBLY

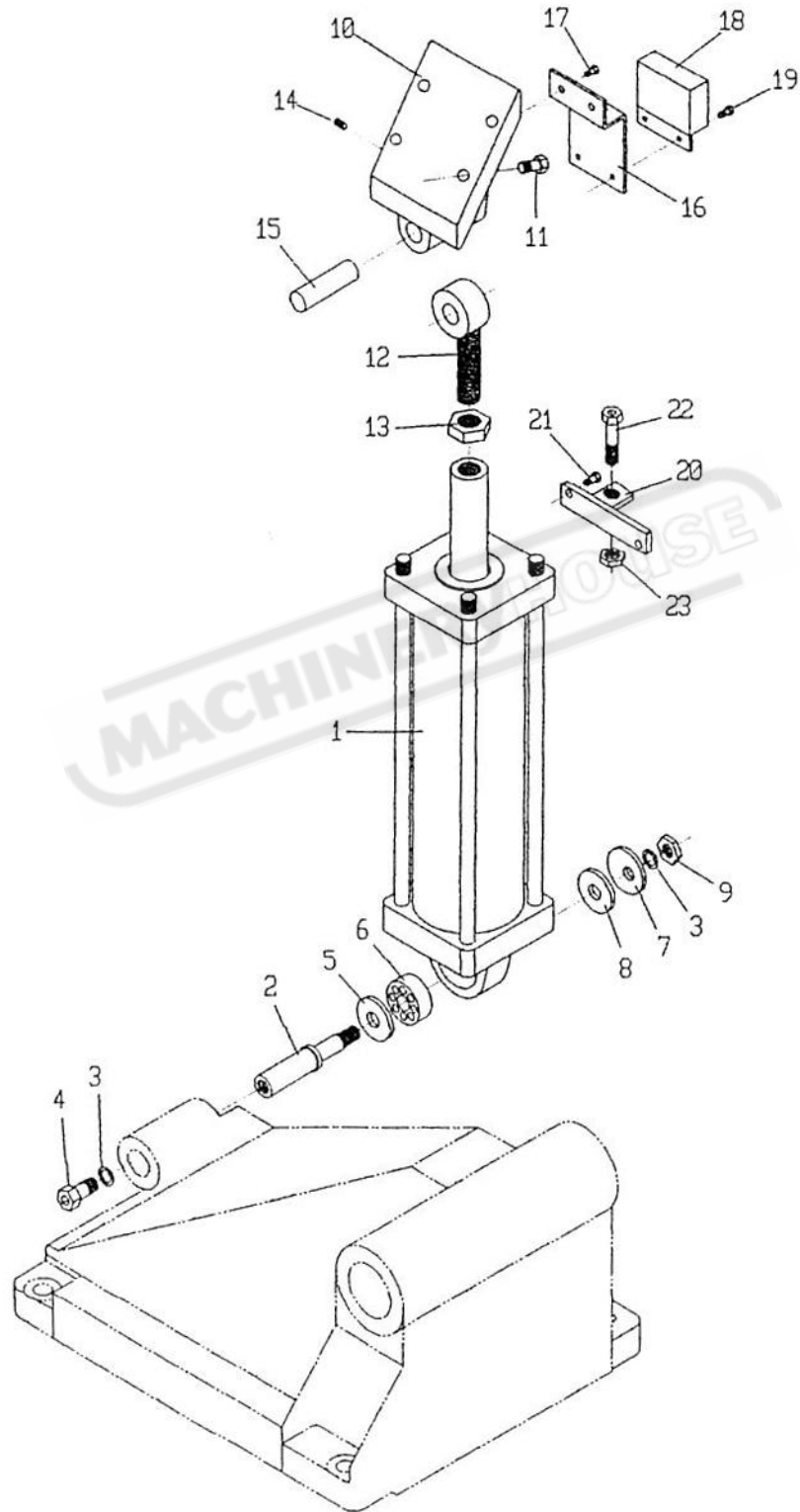
NO.	PART NO.	PART NAME	PART NAME IN CHINESE	PART SPEC.	Q'TY
2-1	AHC-0201	vise bed	床面		1
2-2	AHC-0234B	slide plate	床面鋼板		1
2-3	AHC-0234A	slide plate	床面鋼板		1
2-4		bolt	內六角螺絲	M8*20L	10
2-5	AHC-0229	front fixed vise jaw	前固定虎鉗(一)	M6*6L	1
2-6	AHC-0238	vise plate	虎鉗鋼板		1
2-7		bolt	內六角螺絲	M6*16L	12
2-8	AHA-0122B	fixed bolt	固定螺絲(二)		4
2-9		spring washer	彈簧華司		4
2-10	AHC-0230	front fixed vise jaw	前固定虎鉗(二)		1
2-11	AHC-0239B	vise plate	虎鉗鋼板		3
2-12	AHC-0223	front movable vise jaw	前活動虎鉗		1
2-13	AHA-0227A	auxiliary plate	輔助板		3
2-14		spring pin	彈簧銷	φ6*16L	2
2-15	AHA-0224	pawl	施力板		1
2-16	AHA-0225A	straight pin	施力板插銷		1
2-17	AHA-0122A	fixed bolt	固定螺絲(一)		2
2-18		washer	華司	M16	2
2-19		bolt	外六角螺絲	M14*45L	2
2-20		spring washer	彈簧華司	M14	2
2-21	AHB-0215C	rack	浪形板		1
2-22	AHA-0210B	rack guide ring	浪形板活動圈		1
2-23		spring washer	彈簧華司	M8	1
2-24		bolt	內六角螺絲	M8*20L	1
2-25	AHA-02139-1	vise cylinder	虎鉗油壓缸		1
2-26		spring pin	彈簧銷	φ6*35L	1
2-27	AHC-1427-CE	stock receiving tray	托架		1
2-28		bolt	內六角螺絲	M12*30L	2
2-29		spring washer	彈簧華司	M12	2
2-30	AHC-1437	support	托架支持板		1
2-31		bolt	內六角螺絲	M10*15L	2
2-32		spring washer	彈簧華司	M10	2
2-33		bolt	內六角螺絲	M6*15L	2
2-34		spring washer	彈簧華司	M6	2
2-35	AHC-1424	right fence	托架右板		1
2-36	AHC-1423-CE	left fence	托架左板		1
2-37	SJM-4029	nut	普利護蓋螺母		2
2-38		nut	螺帽	M8	2
2-39		bolt	內六角螺絲	M8*100L	2
2-40	AGB-70220	bracket	冷卻水管固定板		1
2-41		bolt	內六角螺絲	M5*12L	2
2-42	PP-43136	valve	開關閥	A103 PT 3/8	1
2-43	PP-57079	hose	出水管	3/8*25"	1
2-44					
2-45		set screw	止付螺絲	M6*8L	1
2-46					

AHC-1003.WRK WORK FEED BED ASSEMBLY

NO.	PART NO.	PART NAME	PART NAME IN CHINESE	PART SPEC.	Q'TY
3-1	AHC-1510	feed vise bed	自動送料座		1
3-2	AHC-1513	slide plate	送料床面鋼板		1
3-3	AHC-1513	slide plate	送料床面鋼板		1
3-4		bolt	內六角螺絲	M8*20L	10
3-5	AHC-1524	plate	遮板		1
3-6		bolt	內六角螺絲	M8*20L	4
3-7	AHC-1527	rear fixed vise jaw	後固定虎鉗		1
3-8	AHC-0239B	vise plate	前活動虎鉗鋼板		4
3-9		bolt	內六角螺絲	M6*16L	12
3-10		bolt	內六角螺絲	M16*60L	1
3-11		bolt	內六角螺絲	M16*40L	1
3-12		spring washer	彈簧華司	M16	2
3-13		taper pin	斜度銷	φ 10*50L	2
3-14	AHC-1520	rear movable vise jaw	後活動虎鉗		1
3-15		bolt	內六角螺絲	M16*25L	2
3-16		washer	華司	M16	2
3-17		taper pin	斜度銷	φ 10*50L	2
3-18	AHA-1518	vise body	虎鉗滑座		1
3-19	AHA-0224	pawl	施力板		1
3-20	AHA-0225B	straight pin	施力板插銷		1
3-21		set screw	止付螺絲	M6*8L	1
3-22	AHB-0215C	rack	浪形板		1
3-23	AHA-0210B	rack guide ring	浪形板活動圈		1
3-24		spring washer	彈簧華司	M8	1
3-25		bolt	內六角螺絲	M8*20L	1
3-26	AHA-02139-1	vise cylinder	虎鉗油壓缸		1
3-27		spring pin	彈簧銷	φ 6*35L	1
3-28	AHC-1544-CE	lever	開關擋板(一)		1
3-29		bolt	外六角螺絲	M8*30L	1
3-30		nut	螺帽	M8	1
3-31		bolt	外六角螺絲	M6*15L	2
3-32	AHA-1601B	feed shaft	送料軸		2
3-33	PP-13260	du bushing	乾式軸承	6540	4
3-34	PP-51146	dust seal	防塵套	65*79*8/11	4
3-35	AHC-1533-CE	lever	開關擋板		1
3-36		bolt	外六角螺絲	M10*30L	1
3-37		ut	螺帽	M10	1
3-38		bolt	外六角螺絲	M8*15L	2
3-39		limit switch	限動開關	ZCK-M	1
3-40		bolt	內六角螺絲	M6*12L	2
3-41		limit switch	限動開關	ZCK-M	1
3-42		bolt	內六角螺絲	M6*12L	2
3-43		limit switch	限動開關	ZCK-J	1
3-44		bolt	內六角螺絲	M6*12L	2
3-45	AHA-1932	dust seal	防塵套(母)		1
3-46	PP-21099	connect	快速接頭	1/4"	1

AH-300H

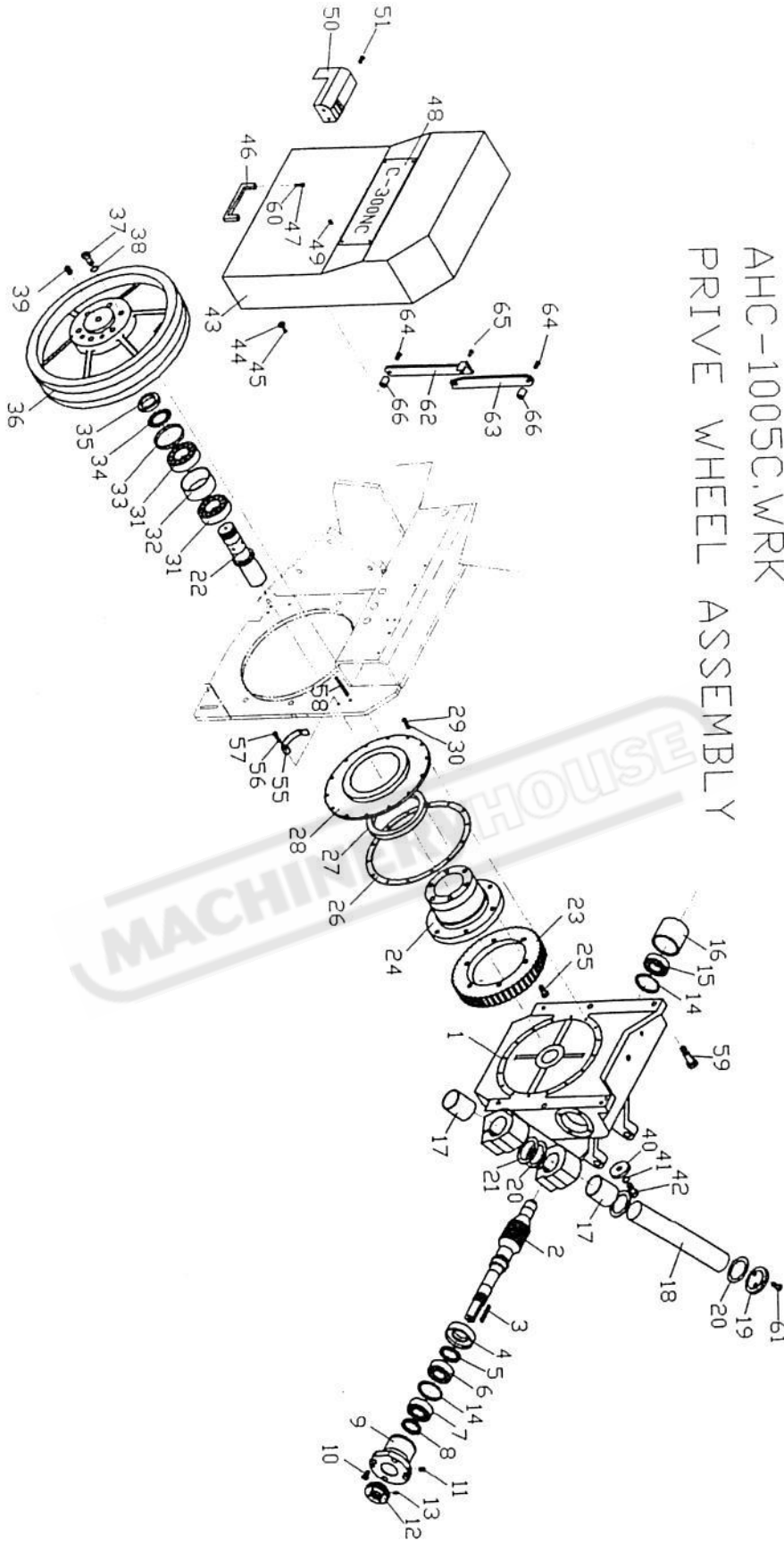
AHC-1004.WRK
HEAD CYLINDER ASS'Y



AHC-1004.WRK HEAD CYLINDER ASS'Y

NO.	PART NO.	PART NAME	PART NAME IN CHINESE	PART SPEC.	QTY
4-1	AHC-11119-1	hydraulic cylinder	鋸弓油壓缸		1
4-2	AHA-0126	hinge pin	油壓缸活動軸		1
4-3		spring washer	彈簧華司	M14	2
4-4		bolt	外六角螺絲	M14*20L	1
4-5	AHA-1105	bearing tap	橡皮墊圈		1
4-6	PP-14510	ball bearing	軸承	2303	1
4-7	AHA-0129	washer	偏心墊圈		1
4-8	AHA-1105A	bearing tap	橡皮墊圈		1
4-9		nut	螺帽	M14	1
4-10	AHC-1113	upper cylinder holder	油壓缸頂座		1
4-11		socket hd.bolt	內六角螺絲	M10*25L	4
4-12	PP-14480	link bearing	連桿軸承	POS-18	1
4-13		nut	螺母	M18	1
4-14		set screw	止付螺絲	M5*10L	1
4-15	AGB-70304A	hinge shaft	油壓缸插銷		1
4-16	AHC-1108-1C	bracket	限動開關擋板		1
4-17		socket hd.bolt	內六角螺絲	M6*12L	2
4-18	PP-90015-CE	limit awitch	限動開關	XCK-M110	1
4-19		socket hd.bolt	內六角螺絲	M6*12L	2
4-20	AHC-1108-2C	stopper	限動開關擋板		1
4-21		bolt	內六角螺絲	M6*12L	2
4-22		bolt	內六角螺絲	M8*25L	1
4-23		nut	螺母	M8	1
4-24					
4-25					
4-26					
4-27					
4-28					
4-29					
4-30					
4-31					
4-32					
4-33					
4-34					
4-35					
4-36					
4-37					
4-38					
4-39					
4-40					
4-41					
4-42					
4-43					
4-44					
4-45					
4-46					

AH-300H



AHC-1005C.WRK
PRIVE WHEEL ASSEMBLY

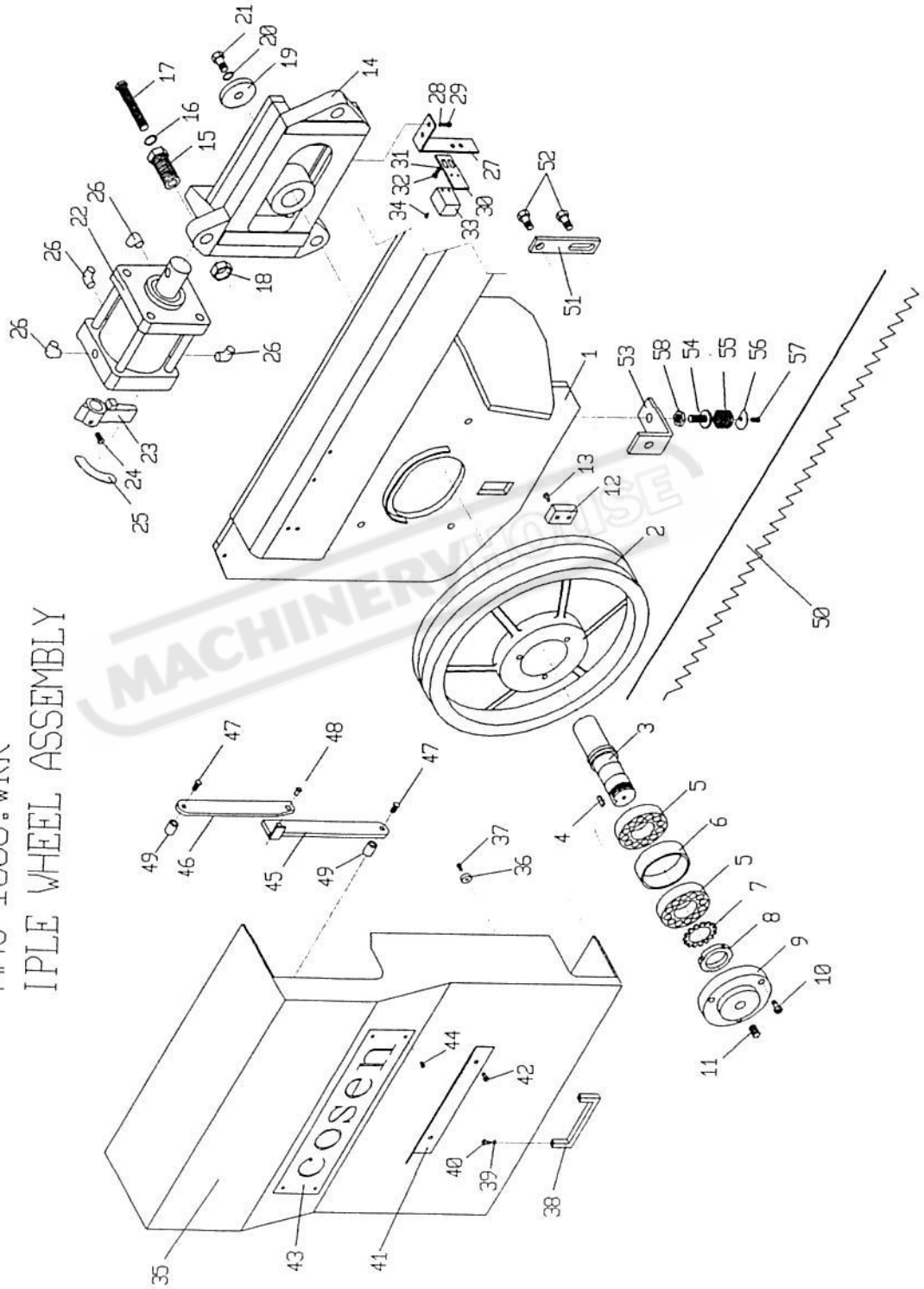
AHC-1005C.WRK PRIVE WHEEL ASSEMBLY

NO.	PART NO.	PART NAME	PART NAME IN CHINESE	PART SPEC.	QTY
5-1	AHC-0301	hinge bracket	減速機本體		1
5-2	AHA-0305	worm	蝸桿		1
5-3		key	方鍵	4*7*50L	1
5-4	AHA-0314	bearing support	軸承座蓋		1
5-5	PP-51080	oil seal	油封	E9	1
5-6	PP-14652	taoer roller bearing	滾錐軸承	30306D	1
5-7	PP-14691	taoer roller bearing	滾錐軸承	32206	1
5-8	PP-51070	oil seal	油封	V38*50*5	1
5-9	AHA-0319	bracket	軸承座(一)		1
5-10		bolt	內六角螺絲	M8*25L	4
5-11		grease nipple	油嘴	1/16"	1
5-12	AHA-0320	wire brush pulley	鋼刷普利		1
5-13		set screw	止付螺絲	M5*8L	2
5-14	PP-58103	snap ring	內鎖	R62	2
5-15	PP-14131	bearing	軸承	6206Z	1
5-16	AHA-0326	bracket	軸承座(二)		1
5-17	PP-13250	du-bushing	乾式軸承	5060	2
5-18	AHA-0310	hinge pin	關節軸		1
5-19	AHA-0311	cap	關節軸蓋		1
5-20	AHA-0324	teflin washer	鐵弗龍墊圈		3
5-21	AHA-0325	thrust bearing enndle washe	平面墊圈		2
5-22	AHA-0407	wheel shaft	下輪軸		1
5-23	AHA-0404	worm wheel	蝸輪		1
5-24	AHA-0406	housing	蝸輪固定座		1
5-25		bolt	內六角螺絲	M10*35L	6
5-26	AHA-0454	rubber wahser	橡膠墊圈		1
5-27	PP-51090	oil seal	油封	130*160*14	1
5-28	AHA-0433	fixed ring	油封固定盤		1
5-29		bolt	內六角螺絲	M6*16L	14
5-30		spring washer	彈簧華司	M6	14
5-31	PP-14693	taoer roller bearing	滾錐軸承	32208	2
5-32	AHA-0431	distance roller	軸承墊圈		1
5-33	AHA-0429	adjusting collar	調整環		1
5-34	PP-14958	toothed washer	止動環	AW08	1
5-35	PP-14908	toothed nut	固定螺母	AN08	1
5-36	AHA-0416B	drive wheel	下輪		1
5-37		bolt	外六角螺絲	M12*40L	6
5-38		spring washer	彈簧華司	M12	6
5-39		grease nipple	油嘴	1/16"	1
5-40	AHA-0403	lock washer	鎖緊墊圈		1
5-41		spring washer	彈簧華司	M12	1
5-42		bolt	內六角螺絲	M12*35L	1
5-43	AHA-0419-CE	housing cover	下輪箱蓋		1
5-44	AHA-0434	rubber wahser	橡皮墊圈		2
5-45		screw	丸頭螺絲	M4*12L	2
5-46	PP-52080	handle	輪箱把手		1

AHC-1005C.WRK PRIVE WHEEL ASSEMBLY

NO.	PART NO.	PART NAME	PART NAME IN CHINES	PART SPEC.	Q'TY
5-47		screw	丸頭螺絲	M5*8L	2
5-48	AHC-0423A	modle plate	機型銘牌		1
5-49		screw	丸頭螺絲	M4*5L	4
5-50	AHA-1230	cover	鋼刷遮蓋		1
5-51		bolt	內六角螺絲	M5*5L	2
5-52					
5-53					
5-54					
5-55	AHA-0414	plate	鋸片安裝輔助板		1
5-56		washer	墊圈	M6	1
5-57		bolt	內六角螺絲	M6*60L	1
5-58		spring pin	彈簧銷	φ 5*60L	1
5-59	AHA-0309	fixed bolt	固定螺絲		2
5-60		spring washer	彈簧華司	M5	2
5-61		bolt	內六角螺絲	M8*25L	2
5-62	AHB-0726A	right cover bracket	右箱蓋定位板		1
5-63	AHB-0726C	cover bracket	箱蓋定位板		1
5-64		bolt	內六角螺絲	M6*25L	2
5-65		fix screw	鉚釘	φ 6	1
5-66	AHB-0822	lock washer	固定圈		2
5-67					
5-68					
5-69					
5-70					
5-71					
5-72					
5-73					
5-74					
5-75					
5-76					
5-77					
5-78					
5-79					
5-80					
5-81					
5-82					
5-83					
5-84					
5-85					
5-86					
5-87					
5-88					
5-89					
5-90					
5-91					
5-92					

AHC-1006.WRK
IPLE WHEEL ASSEMBLY



AHC-1006.WRK IPLE WHEEL ASSEMBLY

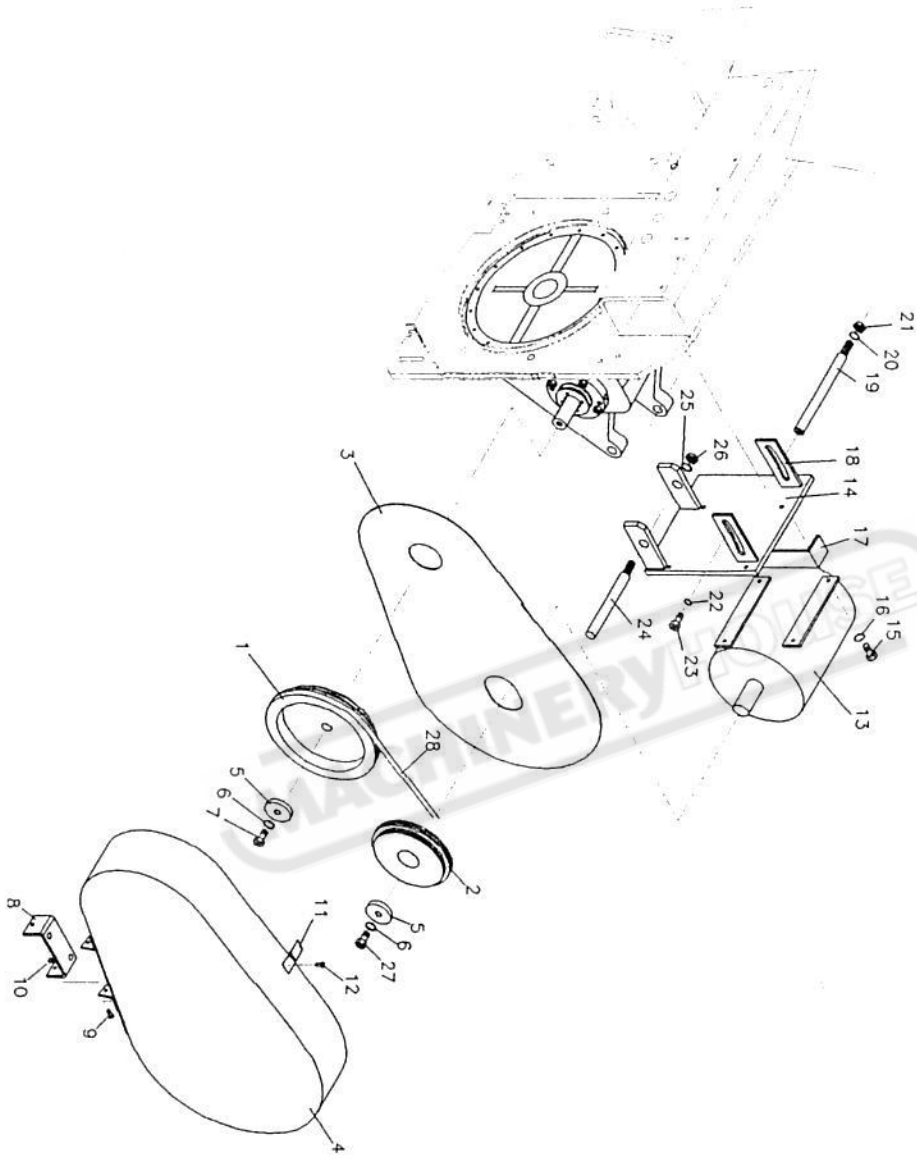
NO.	PART NO.	PART NAME	PART NAME IN CHINESE	PART SPEC.	Q'TY
6-1	AHC-0415-CE	housing yoke	鋸弓		1
6-2	AHA-0634B	idle wheel	上輪		1
6-3	AHA-0635	wheel shaft	上輪軸		1
6-4		key	方鍵	3*6*15L	1
6-5	PP-14613	bearing	軸承	30207	2
6-6	AHA-0637	bearing collar	上輪軸承墊圈		1
6-7	PP-14957	toothed ring	止動環	AW07	1
6-8	PP-14907	toothed nut	固定螺母	AN07	1
6-9	SHA-04140	bearing cap	上輪軸蓋		1
6-10		bolt	內六角螺絲	M8*35L	3
6-11		grease nipple	油嘴	1/16"	1
6-12	AHA-0633-CE	proximity switch plate	上輪感側塊		1
6-13		bolt	內六角螺絲	M5*16L	2
6-14	AHA-06029	tension ass'y	張力滑座組		1
6-15	AHA-0610	adjusting bolt	調整螺絲		3
6-16		spring washer	彈簧華司	M12	3
6-17		bolt	內六角螺絲	M12*80L	3
6-18	AHA-0611	adjusting nut	調整螺母		3
6-19	AHA-0403	lock washer	鎖緊墊圈		1
6-20		washer	墊圈	M12	1
6-21		bolt	內六角螺絲	M12*35L	1
6-22	AHA-06189-1	tension cylinder	張力油壓缸		1
6-23	AHB-0653	valve lever	切換把手		1
6-24		set screw	止付螺絲	M6*10L	1
6-25	AHB-0660	legend plate	銘牌		1
6-26		plug	彎管接頭	PT 1/8"*1/4"	4
6-27	AHA-0670A	bracket	感應器底板座		1
6-28		spring washer	彈簧華司	M5	2
6-29		bolt	內六角螺絲	M5*6L	2
6-30	AHA-0672	proximity switch mounting pla	感應器底板		1
6-31		spring washer	彈簧華司	M5	2
6-32		bolt	內六角螺絲	M5*8L	2
6-33		limit switch	限動開關	ZCK-M	1
6-34		bolt	內六角螺絲	M3*15L	2
6-35	AHA-0665-CE	housing cover	上輪箱蓋		1
6-36	AHA-0434	rubber washer	橡皮墊圈		2
6-37		screw	丸頭螺絲	M4*12L	2
6-38	PP-52080	handle	輪箱把手		1
6-39		spring washer	彈簧華司	M5	2
6-40		screw	丸頭螺絲	M5*8L	2
6-41	AHA-0668	cover bracket	鋸片護蓋座板		1
6-42		bolt	內六角螺絲	M5*5L	2
6-43	AHA-0666	name plate	公司銘牌		1
6-44		screw	丸頭螺絲	M4*5L	4
6-45	AHB-0726B	left cover bracket	左箱蓋定位板		1
6-46	AHB-0726C	cover bracket	箱蓋定位板		1

AHC-1006.WRK IPLE WHEEL ASSEMBLY

NO.	PART NO.	PART NAME	PART NAME IN CHINESE	PART SPEC.	QTY
6-47		bolt	內六角螺絲	M6*25L	2
6-48		fix screw	鉚釘	φ6	1
6-49	AHB-0822	lock washer	固定圈		2
6-50	PP-18187	saw blade	鋸帶	HS 3660*34*1.	1
6-51	AHA-0451	fixed plate	鋸弓固定板		1
6-52		bolt	內六角螺絲	M12*12L	2
6-53	AHC-0452	bracket (saw bow)	鋸弓定位塊		1
6-54	AHA-0631	bolt	定位螺絲		1
6-55	AHA-0629	spring	緩衝彈簧		1
6-56	AHA-0630	spring plate	墊圈		1
6-57		bolt	內六角螺絲	M6*12L	1
6-58		nut	螺帽	M12	1
6-59					
6-60					
6-61					
6-62					
6-63					
6-64					
6-65					
6-66					
6-67					
6-68					
6-69					
6-70					
6-71					
6-72					
6-73					
6-74					
6-75					
6-76					
6-77					
6-78					
6-79					
6-80					
6-81					
6-82					
6-83					
6-84					
6-85					
6-86					
6-87					
6-88					
6-89					
6-90					
6-91					
6-92					

AH-300H

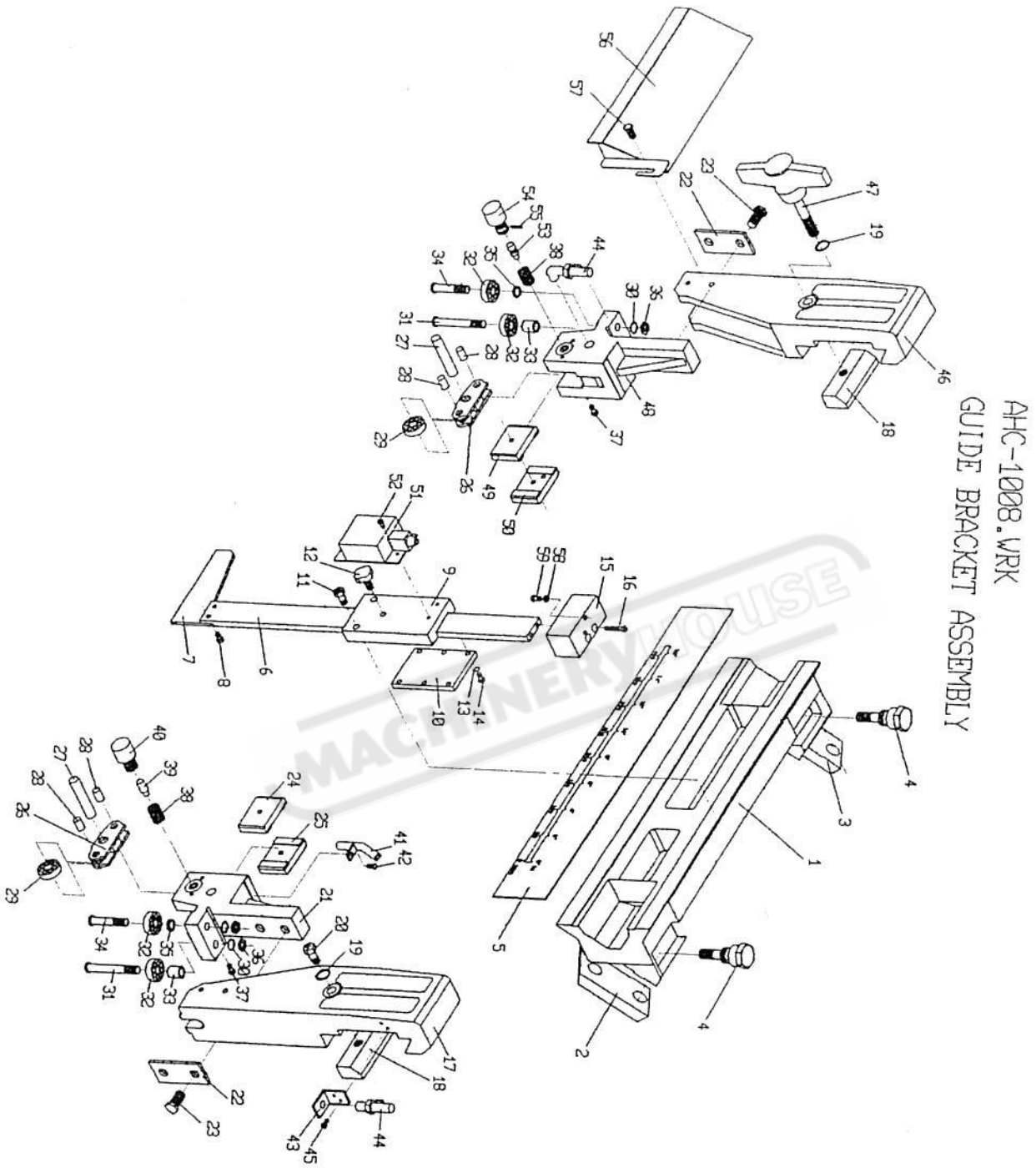
AHC-1007B.WRK
DRIVE MOTOR ASSEMBLY
(INVERTER)



AHC-1007B.WRK DRIVE MOTOR ASSEMBLY (INVERTER)

NO.	PART NO.	PART NAME	PART NAME IN CHINESE	PART SPEC.	Q'TY
7B-1	AHA-0514G	reducer pulley	減速機皮帶輪		1
7B-2	AHA-0538G	motor pulley	馬達皮帶輪		1
7B-3	AHC-0512	pulley cover base plate	普利護蓋底板		1
7B-4	AHC-0501	pulley cover	普利護蓋		1
7B-5	AHA-0525	washer	墊圈		2
7B-6		spring washer	彈簧華司	M10	2
7B-7		bolt	內六角螺絲	M10*30L	1
7B-8	AHA-0507	bracket	護蓋耳		1
7B-9		bolt	內六角螺絲	M5*12L	2
7B-10		nut	螺母	M5	2
7B-11	PP-52090	lock plate	蓋扣		1
7B-12		bolt	內六角螺絲	M5*16L	1
7B-13	PP-31081	motor	馬達	5HP	1
7B-14	AHR-2027	motor base plate	馬達底板		1
7B-15		bolt	內六角螺絲	M10*25L	4
7B-16		spring washer	彈簧華司	M10	4
7B-17	AHC-0511	bracket	普利護蓋固定耳		1
7B-18	AHA-0510B	bracket	馬達底板耳		2
7B-19	AHA-0526	fixed shaft	馬達定位軸		1
7B-20		spring washer	彈簧華司	M12	1
7B-21		nut	螺母	M12	1
7B-22		washer	華司	M10	1
7B-23		bolt	內六角螺絲	M10*32L	1
7B-24	AHA-0515	bar	馬達活動軸		1
7B-25		spring washer	彈簧華司	M12	1
7B-26		nut	螺母	M12	1
7B-27		bolt	內六角螺絲	M10*50L	1
7B-28	PP-56288A	belt	皮帶	B46	1
7B-29					
7B-30					
7B-31					
7B-32					
7B-33					
7B-34					
7B-35					
7B-36					
7B-37					
7B-38					
7B-39					
7B-40					
7B-41					
7B-42					
7B-43					
7B-44					
7B-45					
7B-46					

AH-300H



AHC-1008.WRK GUIDE BRACKET ASSEMBLY

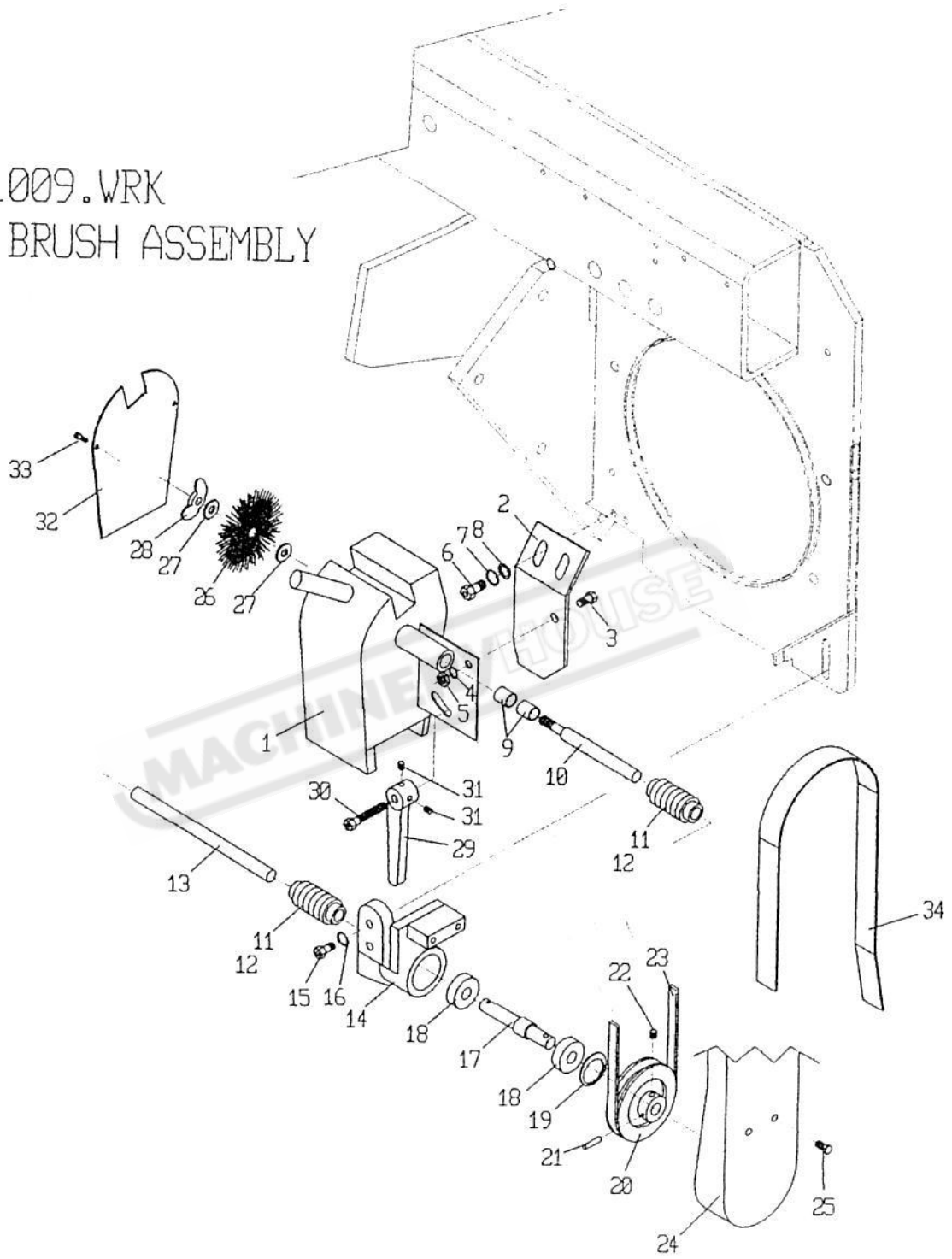
NO.	PART NO.	PART NAME	PART NAME IN CHINESE	PART SPEC.	QTY
8-1	AHC-0738	guide bar	鋸臂滑板		1
8-2	AHA-0439B	slide tip	鋸臂滑板固定塊(二)		1
8-3	AHA-0734	adjusting bolt	滑板調整螺絲		4
8-4	AHA-0439A	slide tip	鋸臂滑板固定塊(一)		1
8-5	AHC-0735A	ruler plate	鋸臂滑板銘牌		1
8-6	AHC-1753B	descending slide bar	急降桿		1
8-7	AHA-1755B	feeder	急降桿擋板		1
8-8		bolt	內六角螺絲	M6*10L	2
8-9	AHA-1752	descending slide brack	急降桿固定座		1
8-10	AHA-1754	cover plate	急降桿座蓋		1
8-11		bolt	內六角螺絲	M10*30L	2
8-12	PP53010	screw	梅花螺絲	M8*20L	1
8-13		spring washer	彈簧華司	M6	6
8-14		bolt	內六角螺絲	M6*12L	6
8-15	AHA-1756	limit block	限動開關座		1
8-16		bolt	內六角螺絲	M6*40L	2
8-17	AHC-0749	right guide bracket	右鋸臂		1
8-18	AHA-0737	slide tip	鋸臂固定塊		2
8-19		spring washer	彈簧華司	M12	2
8-20		bolt	外六角螺絲	M12*75L	1
8-21	AHA-0748B	right insert holder	右導輪座		1
8-22	AHA-0719	plain washer	導輪座墊片		2
8-23		bolt	外六角螺絲	M12*40L	4
8-24	AHA-0743B	right movable insert	右活動錫鋼片		1
8-25	AHA-0744B	right fixed insert	右固定錫鋼片		1
8-26	AHA-0704	bearing holder	下壓軸承座		2
8-27	AHA-0713-1	straight shaft	軸承座固定軸		2
8-28	AHA-0706B	straight pin	下壓軸承銷		4
8-29	PP-14270	bearing	軸承	6200 VV	4
8-30		spring washer	彈簧華司	M10	4
8-31	AHA-0707B	roller pin	導輪軸		2
8-32	PP-14270	bearing	軸承	6200 VV	8
8-33	AHA-0708B	washer	墊圈		2
8-34	AHA-0707C	roller pin	短導輪軸		2
8-35		washer	墊圈	M10	2
8-36		nut	螺帽	M10	4
8-37		bolt	內六角螺絲	M6*20L	2
8-38	AHA-0710	spring	彈簧		2
8-39	AHA-0741	right fitting	右簧塞		1
8-40	AHA-0742	right insert knob	右調整螺絲		1
8-41	AHA-0745	coolant nozzle	冷卻水噴嘴		1
8-42		bolt	內六角螺絲	M5*8L	1
8-43	MJA-2041	bracket	水龍頭座板		1
8-44	PP-43132	coolant valve	開關閥	1/8"	2
8-45		bolt	內六角螺絲	M5*8L	2
8-46	AHC-0722	left guide bracket	左鋸臂		1

AH-300H

AHC-1008.WRK GUIDE BRACKET ASSEMBLY

NO.	PART NO.	PART NAME	PART NAME IN CHINESE	PART SPEC.	Q'TY
8-47	AHA-07259	handle	把手		1
8-48	AHA-0712B	left insert holder	左導輪座		1
8-49	AHA-0702B	left movable insert	左活動錫鋼片		1
8-50	AHA-0701B	left fixed insert	左固定錫鋼片		1
8-51		limit switch	限動開關		1
8-52		bolt	內六角螺絲	M5*25L	2
8-53	AHA-0709	left fitting	左簧塞		1
8-54	AHA-0711	adjusting bolt	調整螺絲		1
8-55		pin	銷	φ3*16L	1
8-56	AHA-0667	movable saw blade cov	活動鋸片護蓋		1
8-57		bolt	內六角螺絲	M6*5L	1
8-58		nut	螺帽	M6	1
8-59		bolt	外六角螺絲	M6*35L	1
8-60					
8-61					
8-62					
8-63					
8-64					
8-65					
8-66					
8-67					
8-68					
8-69					
8-70					
8-71					
8-72					
8-73					
8-74					
8-75					
8-76					
8-77					
8-78					
8-79					
8-80					
8-81					
8-82					
8-83					
8-84					
8-85					
8-86					
8-87					
8-88					
8-89					
8-90					
8-91					
8-92					

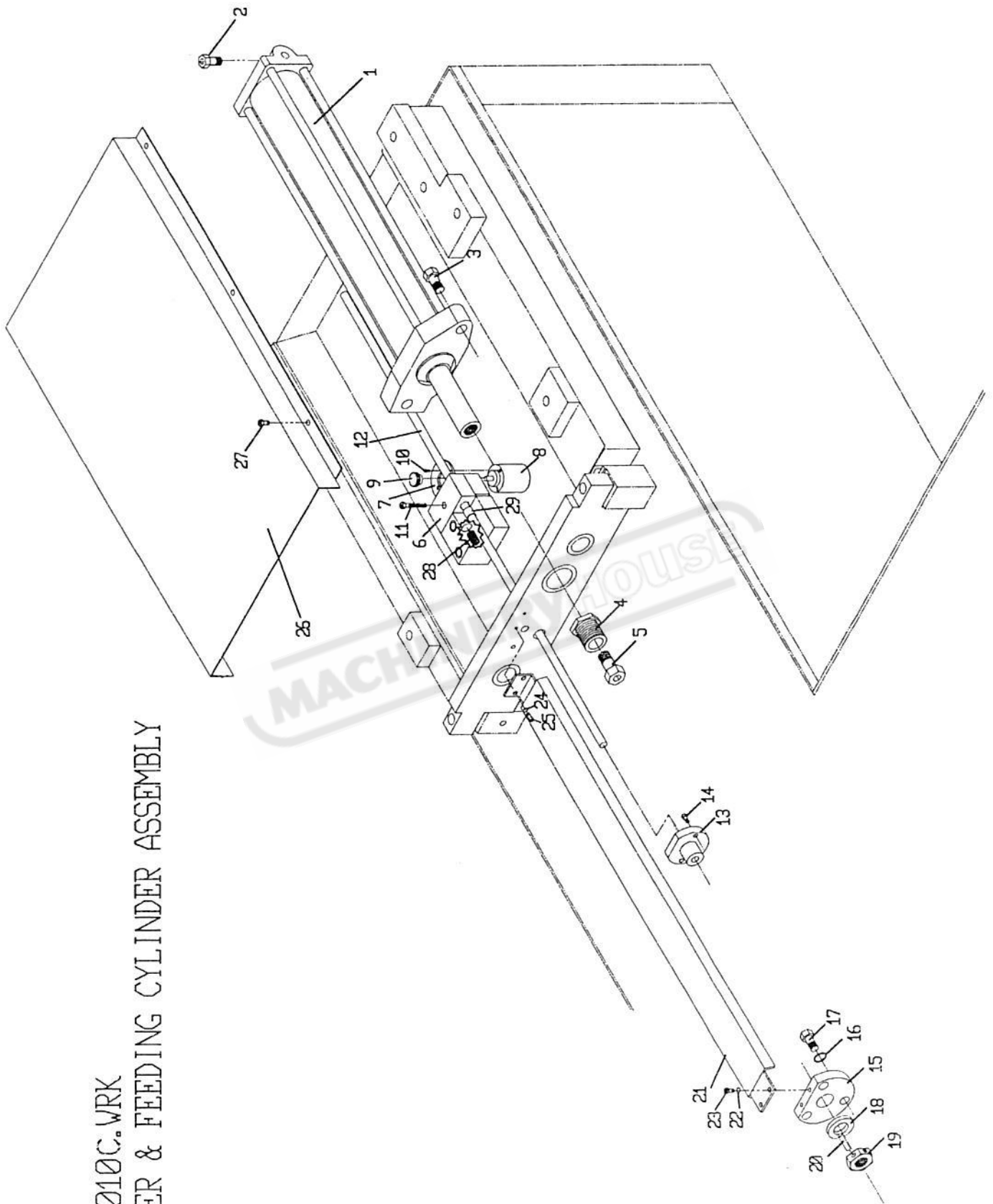
AHC-1009.WRK WIRE BRUSH ASSEMBLY



AHC-1009.WRK WIRE BRUSH ASSEMBLY

NO.	PART NO.	PART NAME	PART NAME IN CHINESE	PART SPEC.	QTY
9-1	AHA-1220	brush cover	鋼刷護蓋		1
9-2	AHC-1225	brush bracket	鋼刷護蓋固定板		1
9-3		bolt	外六角螺絲	M8*16L	2
9-4		spring washer	彈簧華司	M8	2
9-5		nut	螺帽	M8	2
9-6		bolt	外六角螺絲	M8*15L	2
9-7		spring washer	彈簧華司	M8	2
9-8		washer	平面華司	M8	2
9-9	PP-13025	du bearing	乾式軸承	1215	2
9-10	AHB-0519	brush shaft	鋼刷軸		2
9-11	PP-15010	universal joint	萬向接頭	12MM	2
9-12	PP-15012	dust seal	萬向接頭防塵套		2
9-13	AHA-1215	shaft	鋼刷傳動桿		1
9-14	AHA-1211	bearing bracket	軸承座		1
9-15		bolt	外六角螺絲	M8*40L	2
9-16		spring washer	彈簧華司	M8	2
9-17	AHA-1207	pulley shaft	皮帶輪軸		1
9-18	PP-14272	bearing	軸承	6201V	2
9-19	PP-58109	snap ring	扣環	R32	1
9-20	AHA-1202	brush pulley	鋼刷皮帶輪		1
9-21		spring pin	彈簧銷	φ4*25L	1
9-22		set screw	止付螺絲	M6*6L	1
9-23	PP-56510	belt	皮帶	M37	1
9-24	AHA-1201	brush pulley cover	鋼刷普利護蓋		1
9-25		bolt	外六角螺絲	M6*16L	1
9-26	PP-58002	wire brush	鋼刷	90*8MM	1
9-27		washer	平面華司	5/16"	2
9-28		nut	螺帽	M8	1
9-29	AHA-1217	lock lever	鋼刷固定把手		1
9-30		bolt	外六角螺絲	M8*35L	1
9-31		set screw	止付螺絲	M5*6L	2
9-32	AHA-1220-1	brush cover plate	鋼刷護蓋板		1
9-33		bolt	內六角螺絲	M4*4L	2
9-34	AHA-1203-CE	brush pulley cover (二)	鋼刷皮帶輪護蓋(二)		1
9-35					
9-36					
9-37					
9-38					
9-39					
9-40					
9-41					
9-42					
9-43					
9-44					
9-45					
9-46					

AHC-1010C.WRK
ENCODER & FEEDING CYLINDER ASSEMBLY

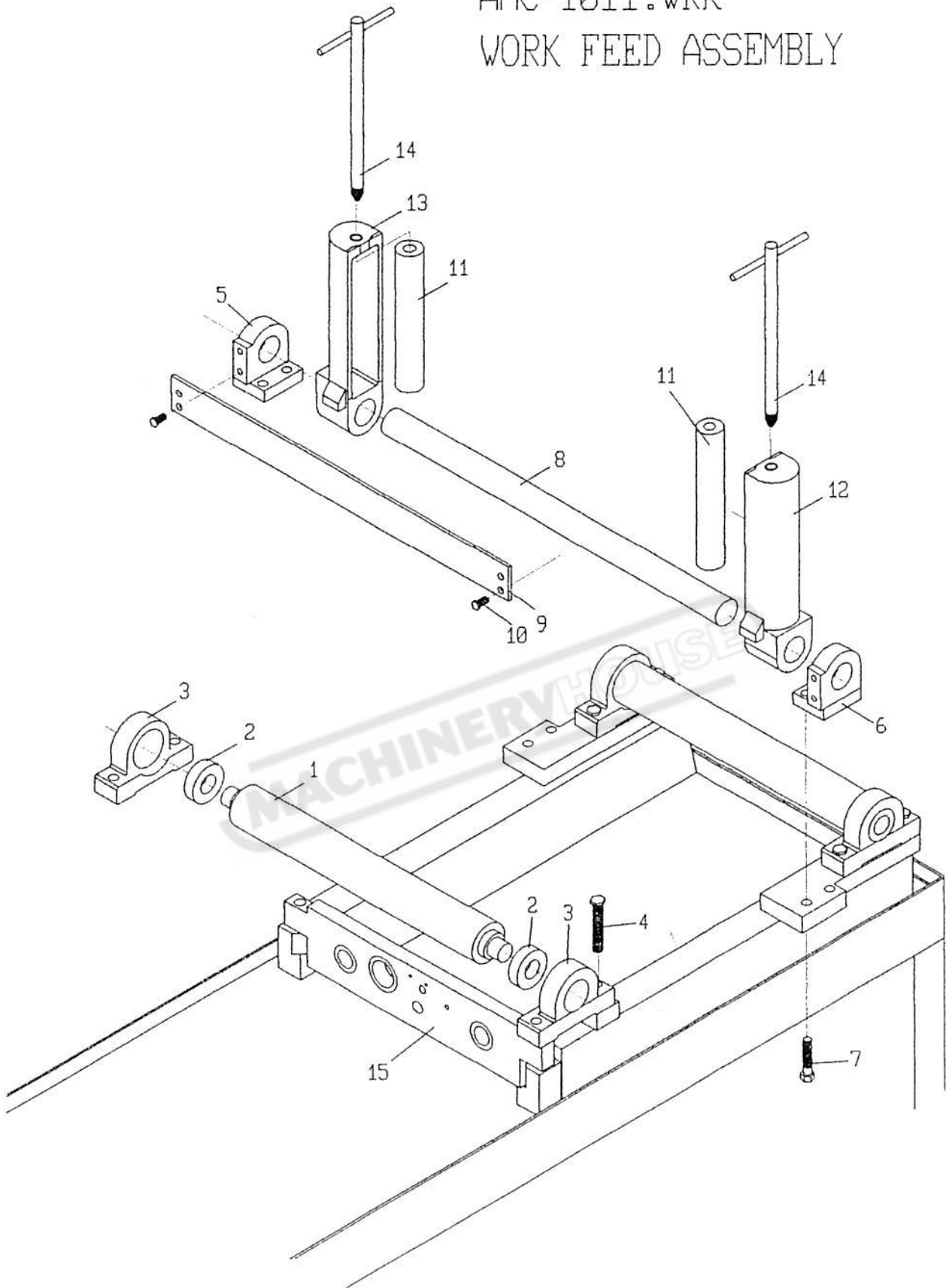


MACHINERYHOUSE

AHC-1010C ENCODER & FEEDING CYLINDER ASSEMBLY

NO.	PART NO.	PART NAME	PART NAME IN CHINESE	PART SPEC.	Q'TY
10-1	AHA-16019-1	feed cylinder	送料油壓缸		1
10-2		bolt	內六角螺絲	M12*30L	1
10-3		bolt	內六角螺絲	M14*25L	2
10-4	AHA-1605	bush bolt	襯套螺絲		1
10-5		bolt	內六角螺絲	M18*60L	1
10-6	AHA-1563	encoder bracket	譯碼器固定座		1
10-7	AHA-1562	movable plate	譯碼器活動板		1
10-8	PP-90492	encoder	譯碼器	LBT-002-2000	1
10-9	AHA-1560	stop gear	定寸齒輪		1
10-10		bolt	內六角螺絲	M3*8L	3
10-11		bolt	內六角螺絲	M6*40L	1
10-12	AHA-1561-1	stop chain	定寸齒條		1
10-13	AHA-1564	encoder bracket (二)	齒排固定座(二)		1
10-14		bolt	內六角螺絲	M5*10L	2
10-15	AHA-1645	bearing holder	軸承座		1
10-16		spring washer	彈簧華司	M12	1
10-17		bolt	內六角螺絲	M12*30L	1
10-18	PP-14430,A,B	bearing	軸承	2035	IPC/EA
10-19	AHA-1643	nut	螺帽		1
10-20		pin	銷	φ 5*25L	1
10-21	AHA-1641	cover	定寸螺桿護蓋		1
10-22		spring washer	彈簧華司	M5	2
10-23		bolt	內六角螺絲	M5*12L	2
10-24		spring washer	彈簧華司	M5	2
10-25		bolt	內六角螺絲	M5*12L	2
10-26	AHC-1607	cylinder cover	油壓缸護蓋		1
10-27		bolt	內六角螺絲	M5*8L	6
10-28	M3L-9-10	spring	彈簧		1
10-29	PP-13020	du bushing	乾式軸承	1012	2
10-30					
10-31					
10-32					
10-33					
10-34					
10-35					
10-36					
10-37					
10-38					
10-39					
10-40					
10-41					
10-42					
10-43					
10-44					
10-45					
10-46					

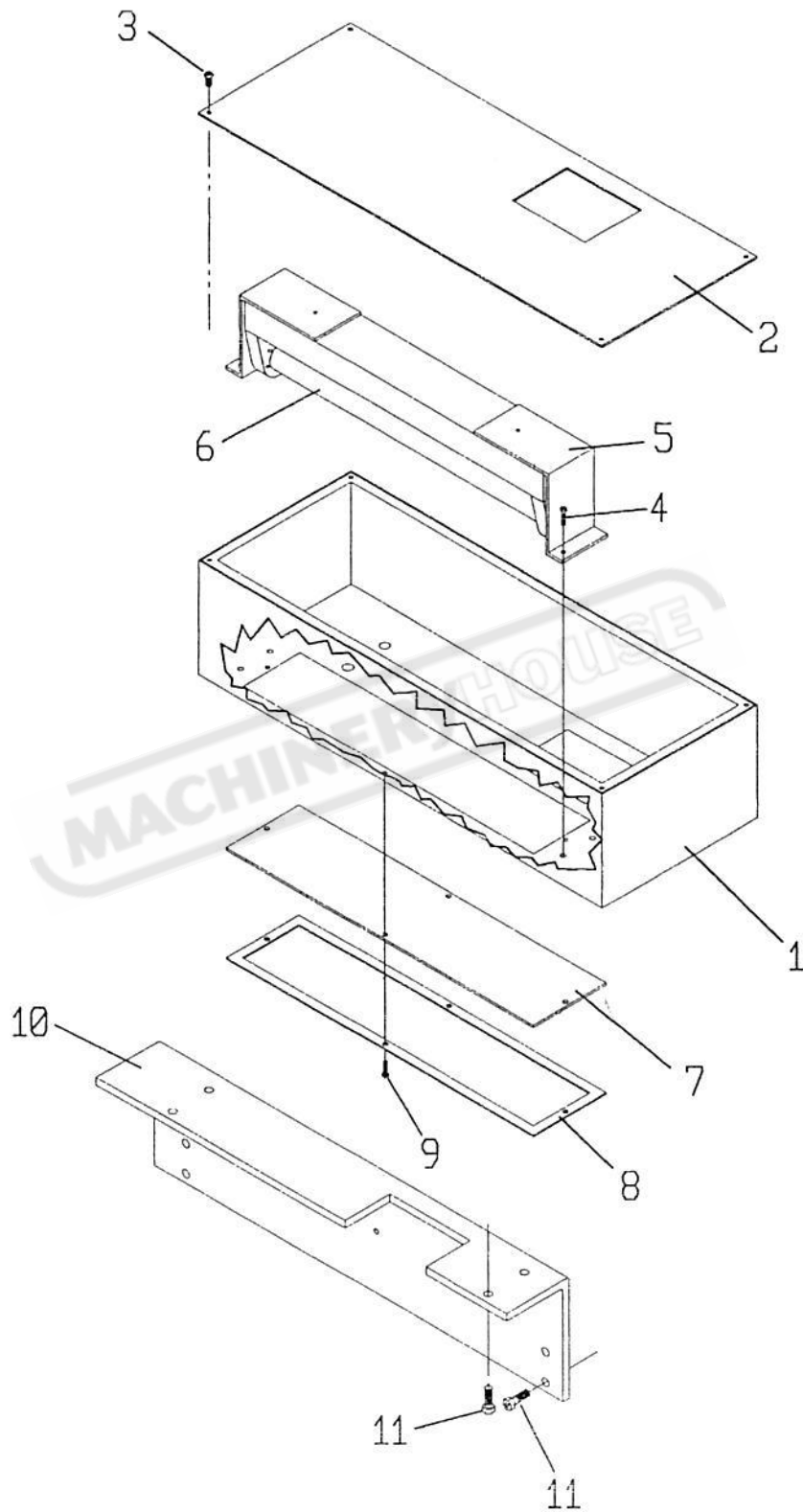
AHC-1011.WRK WORK FEED ASSEMBLY



AHC-1011.WRK WORK FEED ASSEMBLY

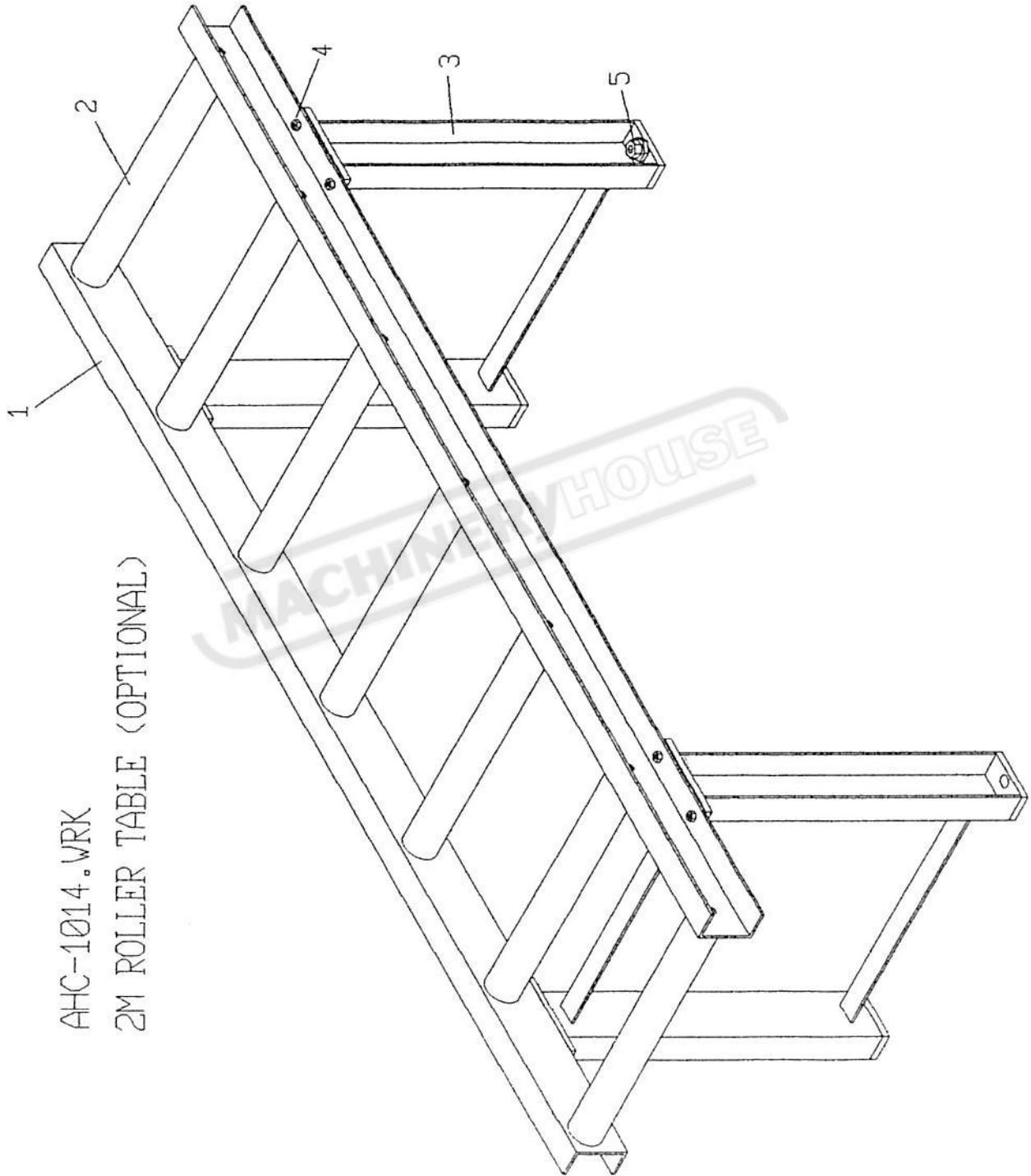
NO.	PART NO.	PART NAME	PART NAME IN CHINESE	PART SPEC.	Q'TY
11-1	AHC-1625	roller	滾輪		2
11-2	PP-14275	bearing	軸承	6205 ZZ	4
11-3	AHA-1636	roller bracket	滾輪固定座		4
11-4		bolt	內六角螺絲	M12*25L	8
11-5	AHA-1669B	right roller bracket	右滾輪固定座		1
11-6	AHA-1669A	left roller bracket	左滾輪固定座		1
11-7		bolt	內六角螺絲	M12*25L	4
11-8	AHC-1662	guide bar	側滾輪固定軸		1
11-9	AHC-1675	stopper plate	側滾輪擋板		1
11-10		bolt	內六角螺絲	M8*25L	4
11-11	AHC-1677B	shaft	側滾輪軸		2
11-12	AHC-1667B	right roller bracket	右側滾輪座		1
11-13	AHC-1667B	left roller bracket	左側滾輪座		1
11-14	AHB-1690	shaft	側滾輪軸		2
11-15	AHC-1654	fixed plate	送料軸固定板		1
11-16					
11-17					
11-18					
11-19					
11-20					
11-21					
11-22					
11-23					
11-24					
11-25					
11-26					
11-27					
11-28					
11-29					
11-30					
11-31					
11-32					
11-33					
11-34					
11-35					
11-36					
11-37					
11-38					
11-39					
11-40					
11-41					
11-42					
11-43					
11-44					
11-45					
11-46					

AHC-1012C.WRK WORK LAMP ASSEMBLY



AHC-1012C.WRK WORK LAMP ASS'Y

NO.	PART NO.	PART NAME	PART NAME IN CHINESE	PART SPEC.	Q'TY
12-1	AHC-0663-NC	lamp box	照明燈箱体		1
12-2	AHC-0664-NC	lamp box cover	蓋板		1
12-3		bolt	內六角螺絲	M4*5L	4
12-4	AHB-1102-NC	lamp bracket	照明燈固定座		2
12-5		bolt	內六角螺絲	M4*6L	4
12-6	PP-90602C	lamp	防水燈		1
12-7	AGB-70345-NC	lamp cover	燈罩		1
12-8	AGB-70346-NC	lamp bracket	燈罩護板		1
12-9		bolt	內六角螺絲	M3*8L	4
12-10	AHC-1808	bracket	控制箱固定板		1
12-11		bolt	內六角螺絲	M8*15L	8
12-12					
12-13					
12-14					
12-15					
12-16					
12-17					
12-18					
12-19					
12-20					
12-21					
12-22					
12-23					
12-24					
12-25					
12-26					
12-27					
12-28					
12-29					
12-30					
12-31					
12-32					
12-33					
12-34					
12-35					
12-36					
12-37					
12-38					
12-39					
12-40					
12-41					
12-42					
12-43					
12-44					
12-45					
12-46					

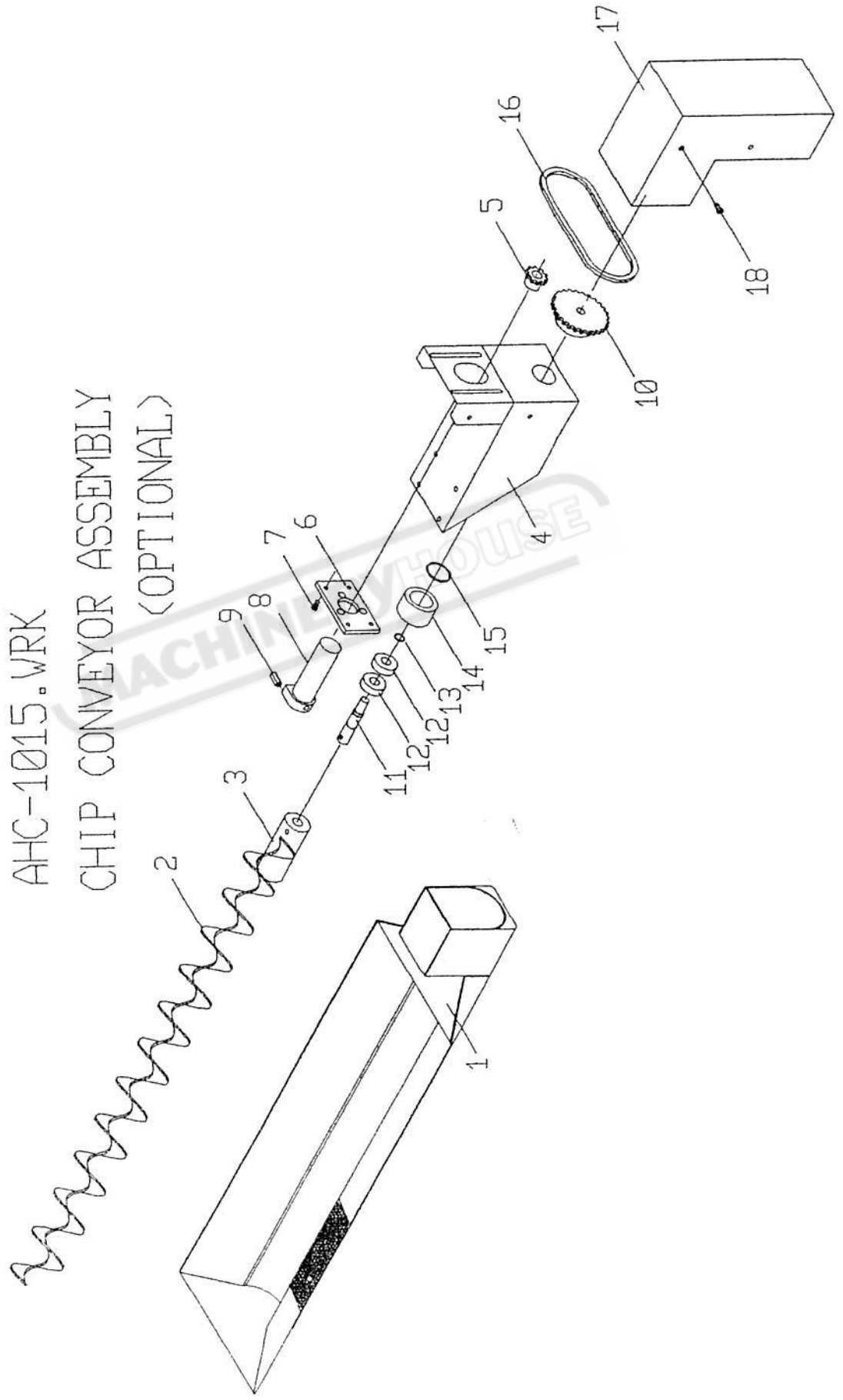


AHC-1014.WRK
2M ROLLER TABLE (OPTIONAL)

AHC-1014.WRK 2M ROLLER TABLE (OPTIONAL)

NO.	PART NO.	PART NAME	PART NAME IN CHINESE	PART SPEC.	Q'TY
14-1	AHA-2002	roller table	送料架		2
14-2	AHC-2001	roller	滾輪		7
14-3	AHC-2003	roller table frame	送料腳架		2
14-4		bolt	內六角螺絲	M12*20L	8
14-5		adjusting bolt	內六角螺絲	M20*40L	4
14-6					
14-7					
14-8					
14-9					
14-10					
14-11					
14-12					
14-13					
14-14					
14-15					
14-16					
14-17					
14-18					
14-19					
14-20					
14-21					
14-22					
14-23					
14-24					
14-25					
14-26					
14-27					
14-28					
14-29					
14-30					
14-31					
14-32					
14-33					
14-34					
14-35					
14-36					
14-37					
14-38					
14-39					
14-40					
14-41					
14-42					
14-43					
14-44					
14-45					
14-46					

AHC-1015.WRK
CHIP CONVEYOR ASSEMBLY
(OPTIONAL)



AHC-1015.WRK CHIP CONVEYOR ASSEMBLY (OPTIONAL)

NO.	PART NO.	PART NAME	PART NAME IN CHINESE	PART SPEC.	QTY
15-1	AHA-2015A	basket	除屑機本體		1
15-2	AHA-2014	rod	除屑螺旋		1
15-3	AHA-2022B	shaft	除屑螺旋軸		1
15-4	AHB-2016	motor bracket	除屑馬達座		1
15-5	AHB-2019B	wheel	傳動鍊輪(小)		1
15-6	AHB-2026	plate	泵浦連接板		1
15-7		bolt	內六角螺絲		4
15-8	PP-31640-1	motor	油壓馬達	OMM-20-128-00	1
15-9	PP-43117	flow control valve	流量閥		1
15-10	AHB-2019A	wheel	傳動鍊輪(大)		1
15-11	AHB-2023A	wheel shaft	鍊輪軸		1
15-12	PP-14003	bearing	軸承	6202 VV	2
15-13	PP-52097	snap ring	扣環	S15	1
15-14	AHB-2020B	bearing holder	軸承座		1
15-15	PP-58106	snap ring	扣環	R35	1
15-16	PP-19061	chain	鏈條	RS35	1
15-17	AHB-2018	motor cover	除屑馬達蓋		1
15-18		bolt	內六角螺絲	M6*5L	2
15-19					
15-20					
15-21					
15-22					
15-23					
15-24					
15-25					
15-26					
15-27					
15-28					
15-29					
15-30					
15-31					
15-32					
15-33					
15-34					
15-35					
15-36					
15-37					
15-38					
15-39					
15-40					
15-41					
15-42					
15-43					
15-44					
15-45					
15-46					